

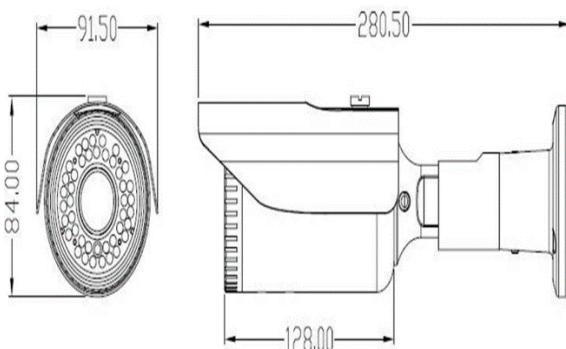
# CTDB-6362IR

## High Resolution Bullet Camera



### ( Features )

- SONY 1/3" Super HADII High Sensitivity Color CCD
- High Resolution 1000 TVL
- Min. Illumination : 0,01 lux, 0 lux at IR On
- True Day & Night for surveillance 24 hours
- DNR for saving storage
- Digital WDR ( Wide Dynamic Range )
- HLC ( High Light Compensation )
- Motion Detection
- Mirror function
- Private Masking
- OSD remote control via RS-485 ( optional )



Model	CTDB-6362IR
Pick-up Device	1/3" SONY HAD CCD II
Effective Pixel	PAL: 596(H) * 795(V) / NTSC: 811(H) * 508(V)
Horizontal Resolution	1000 TV Lines
Minimum Illumination	0,01 lux, 0 lux at IR on
S/N Ratio	More Than 52db
Scanning System	2:1 Interface
Synchronous System	Internal
Elektronic Shutter	NTSC: 1/60s - 1/100.000s, PAL: 1/50s - 1/100.000s
Gama Characteristic	0,45
Auto Gain Control	Auto / Manuel
White Balance	ATW, Push, User, Anti CR, Manuel, Push Lock
Video Output	1.0 Vp-p Composite Video, 75Ω
Lens	2,8-12mm
IR Distance	40mt
Power Supply	12V DC
Power Consumption	IR ON : 360mA, IR OFF :100mA
Operating Environment	-30°C-60°C